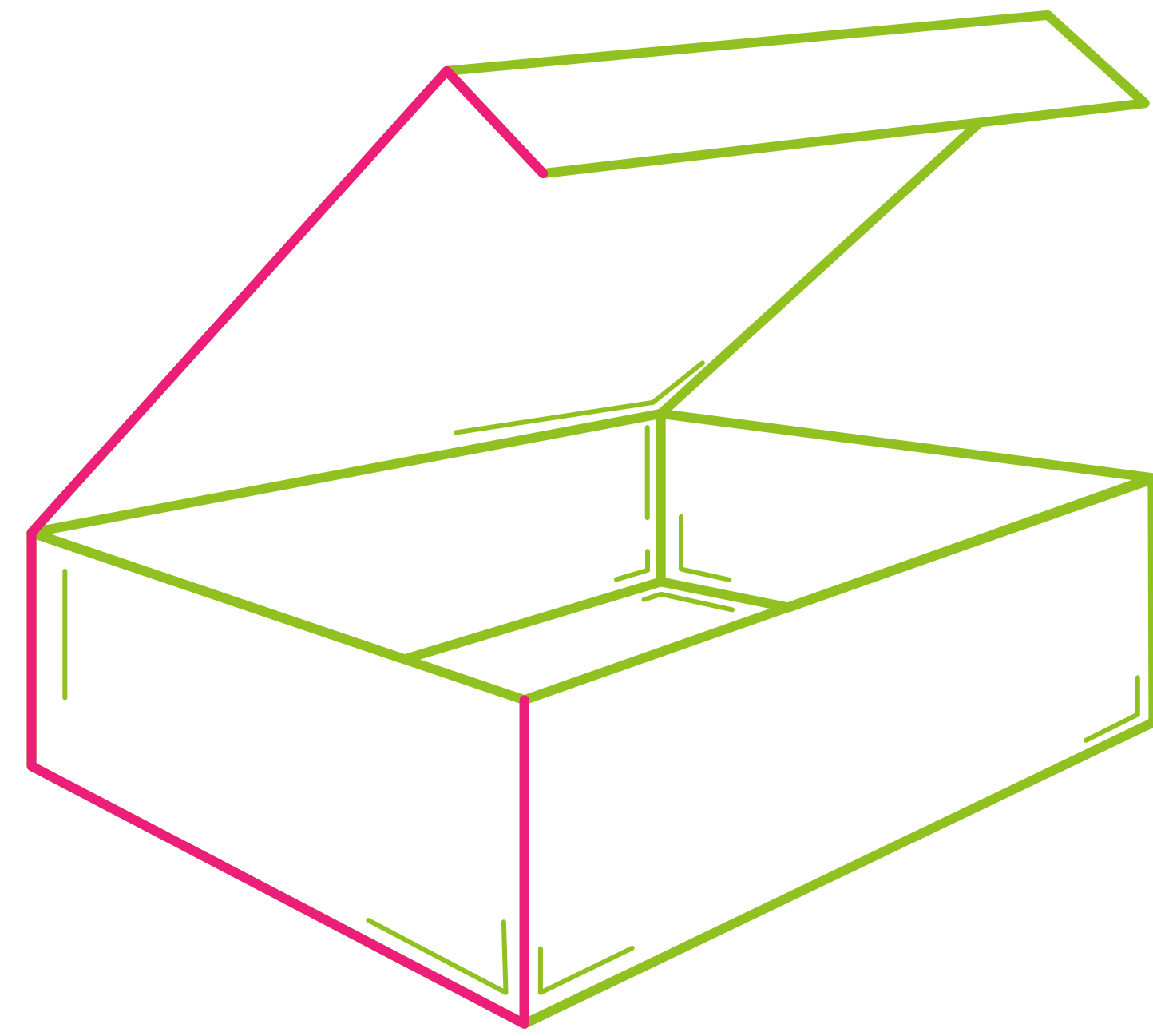
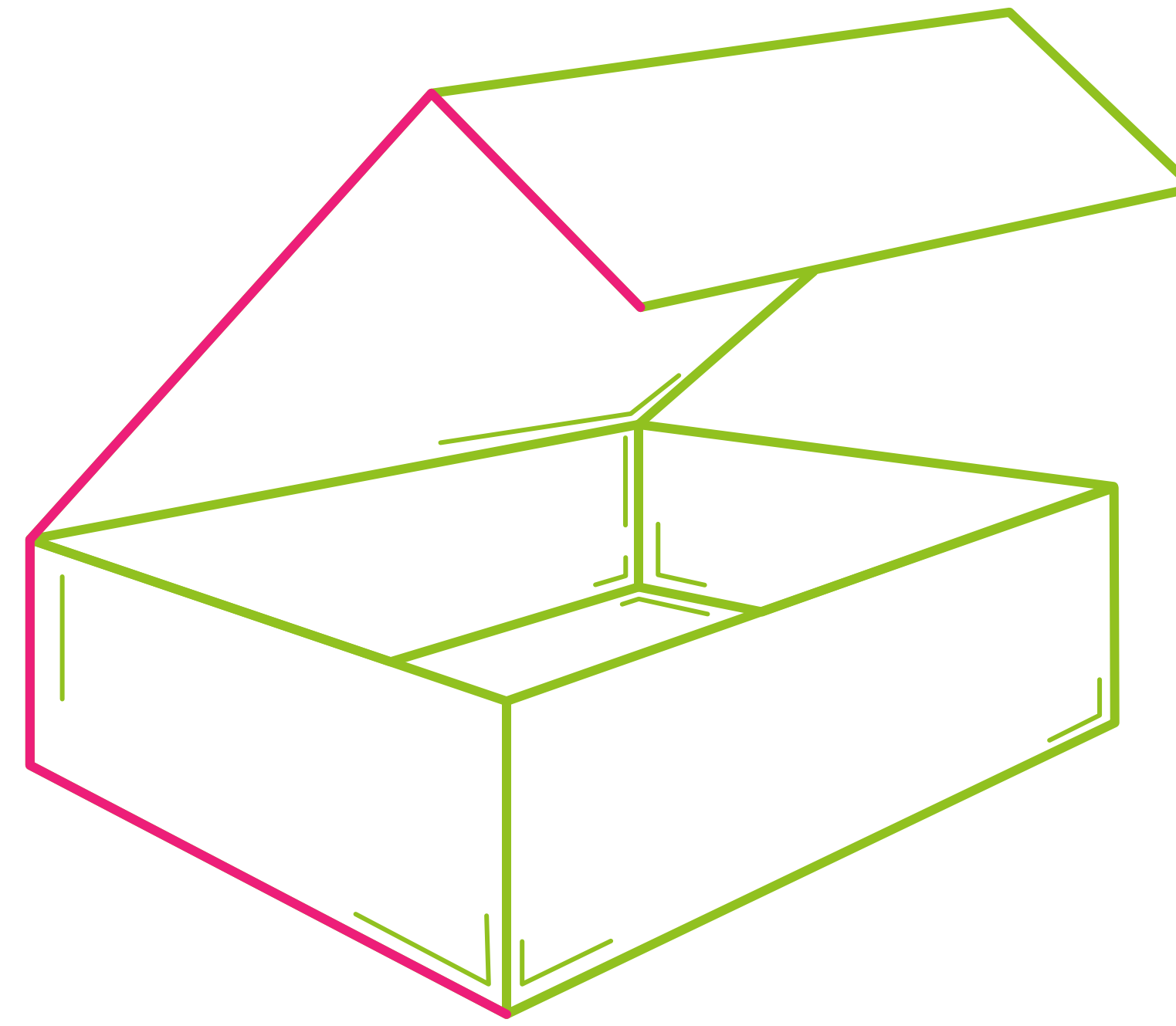


# CUSTOM PANEL BOXES

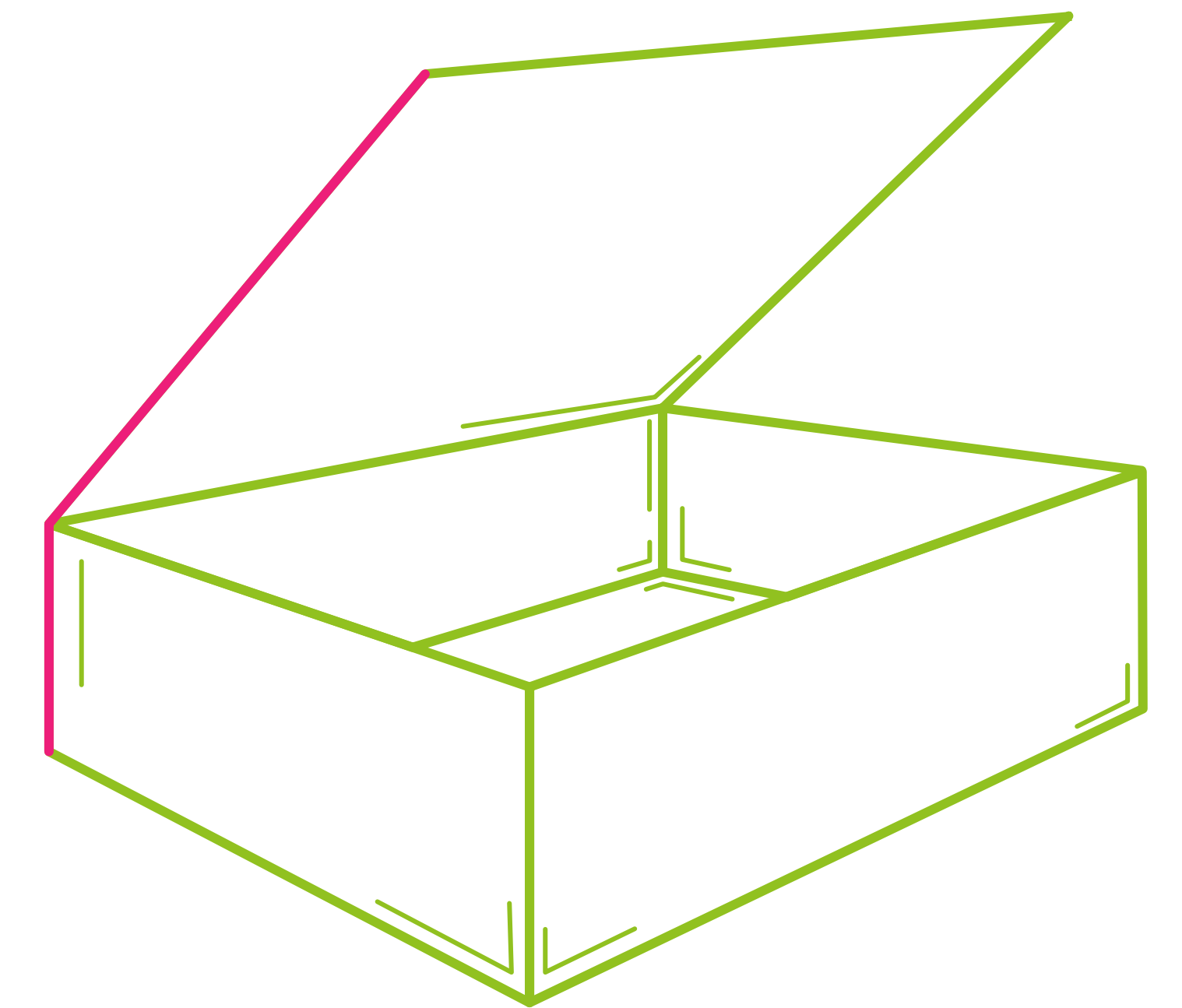
———— HIGHLIGHT NUMBER OF PANELS



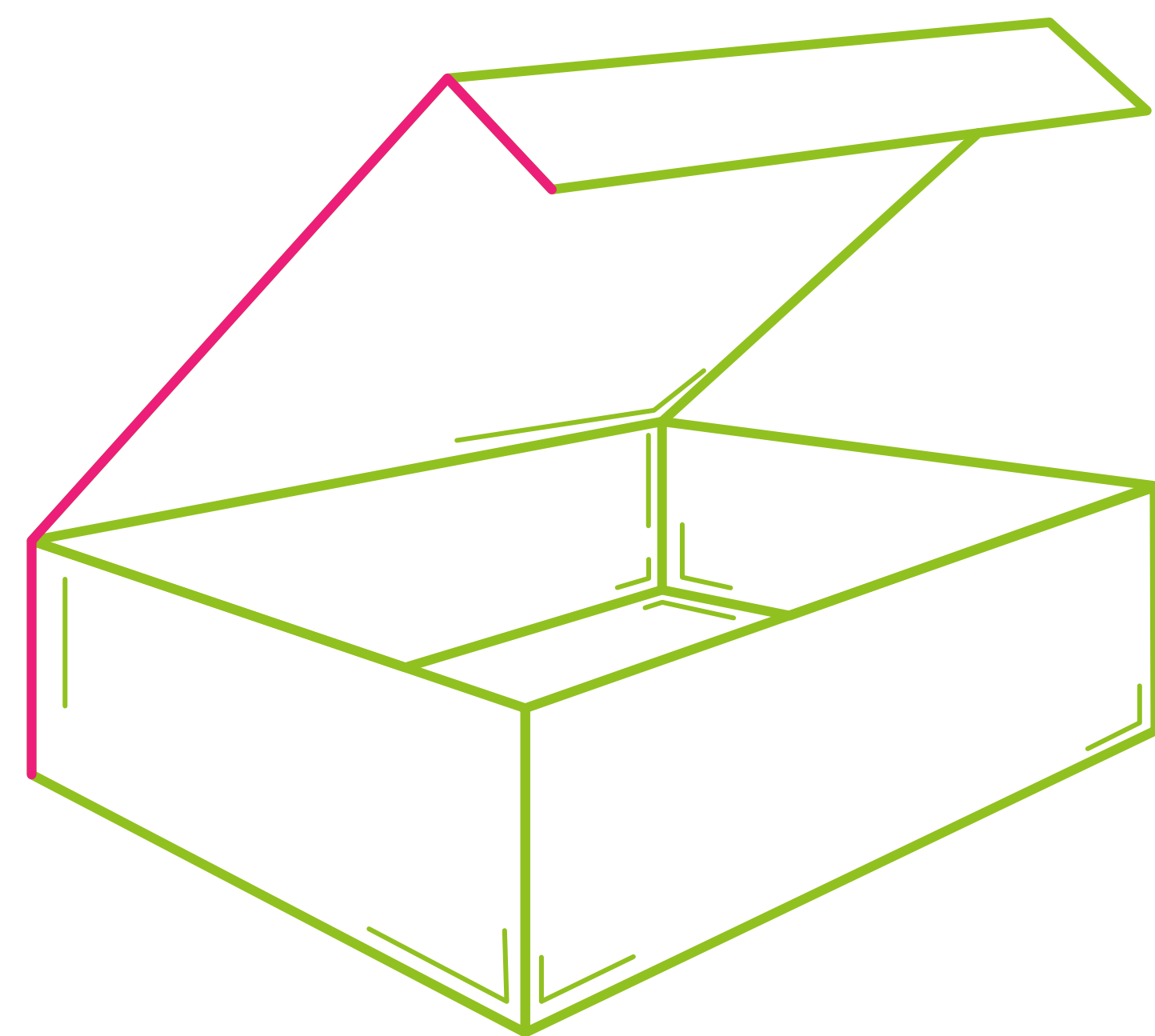
FIVE PANEL BOX:  
FIRST AND LAST PANEL OVERLAY



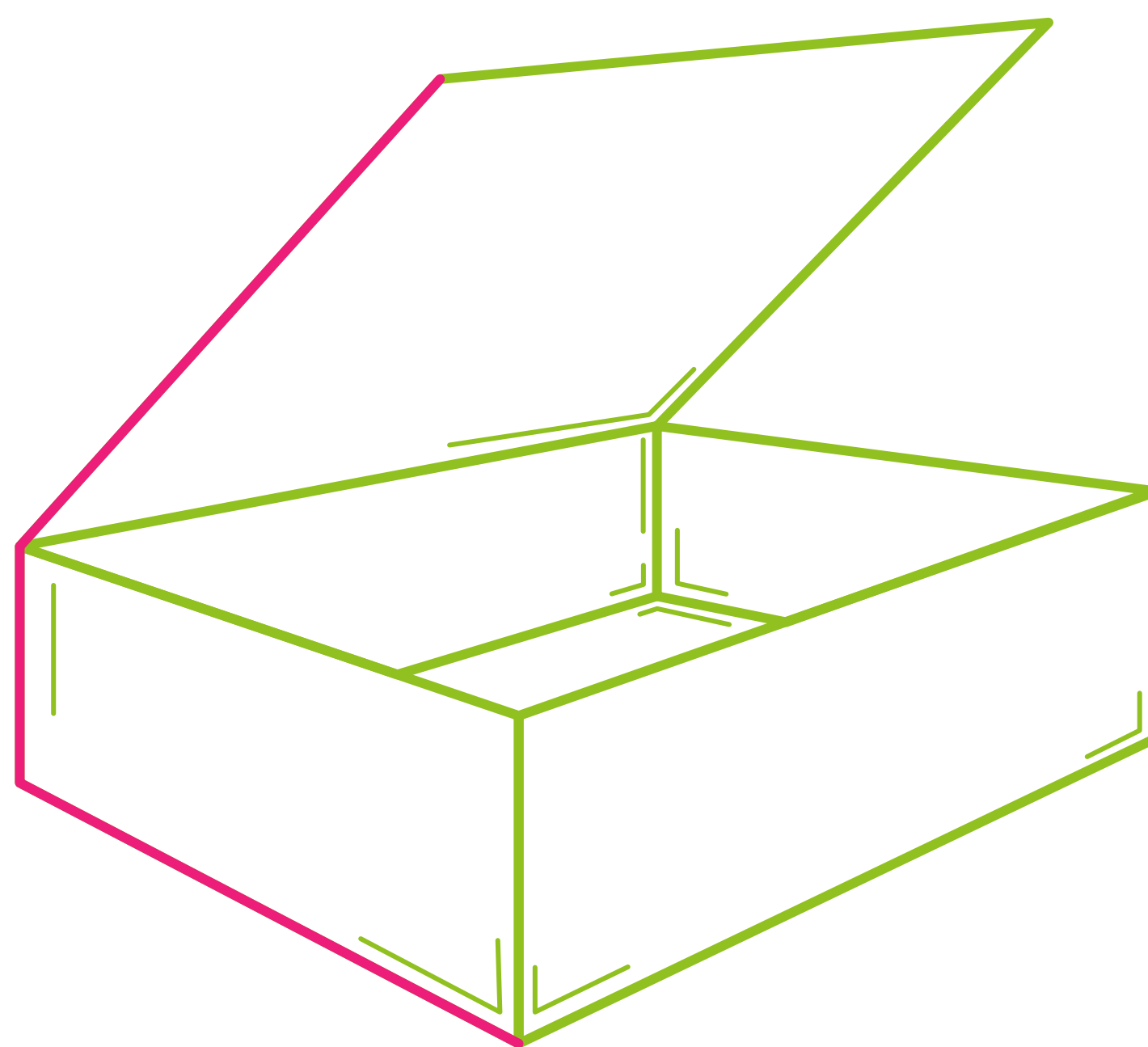
FOUR PANEL BOX:  
PANELS SURROUND BASE  
SQUARE/RECTANGLE



TWO PANEL BOX  
FLAPS COVER BACK AND TOP

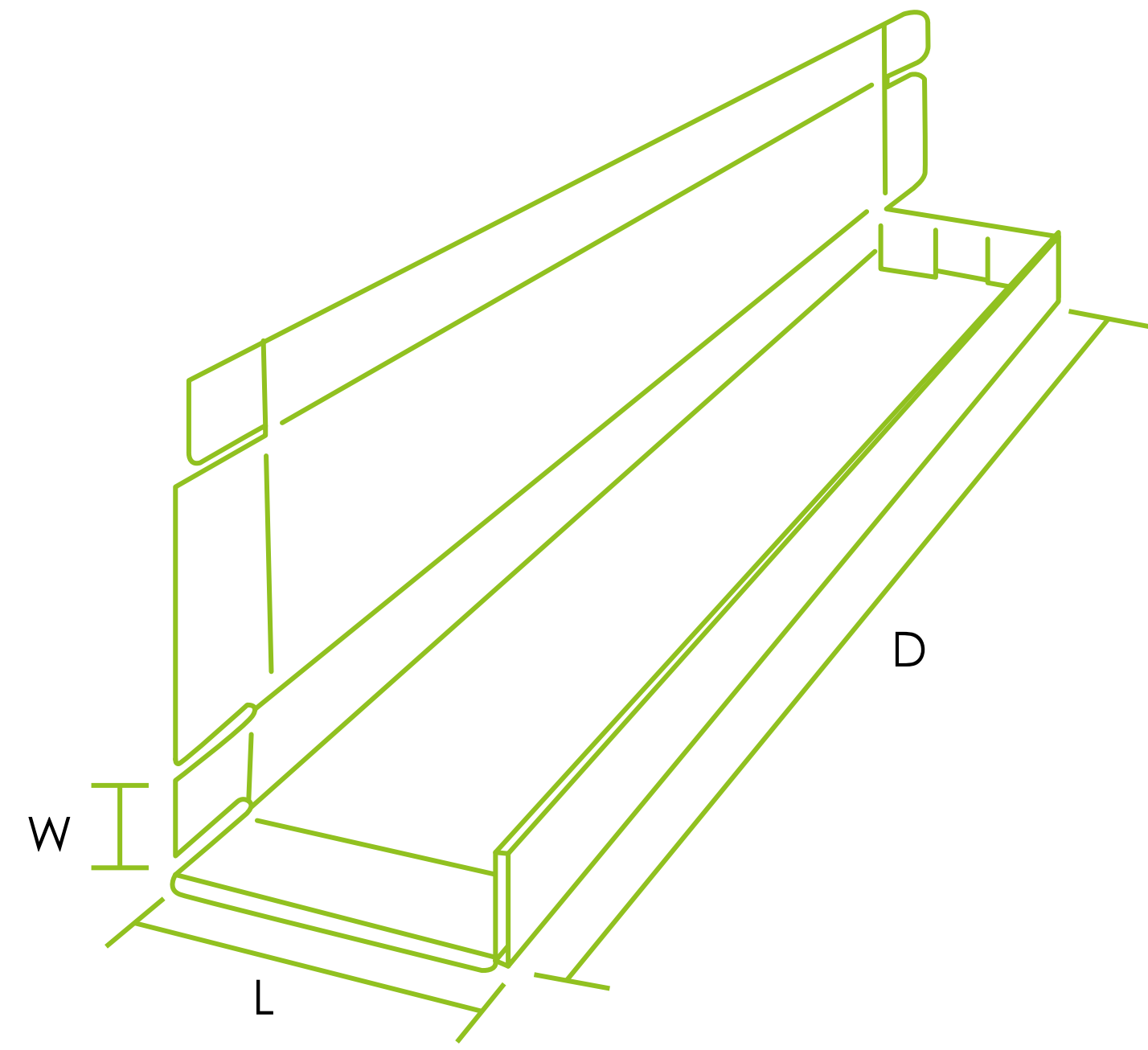


THREE PANEL BOX:  
PANELS COVER FRONT,  
BACK, TOP OF BOX  
EXCEPT BOTTOM

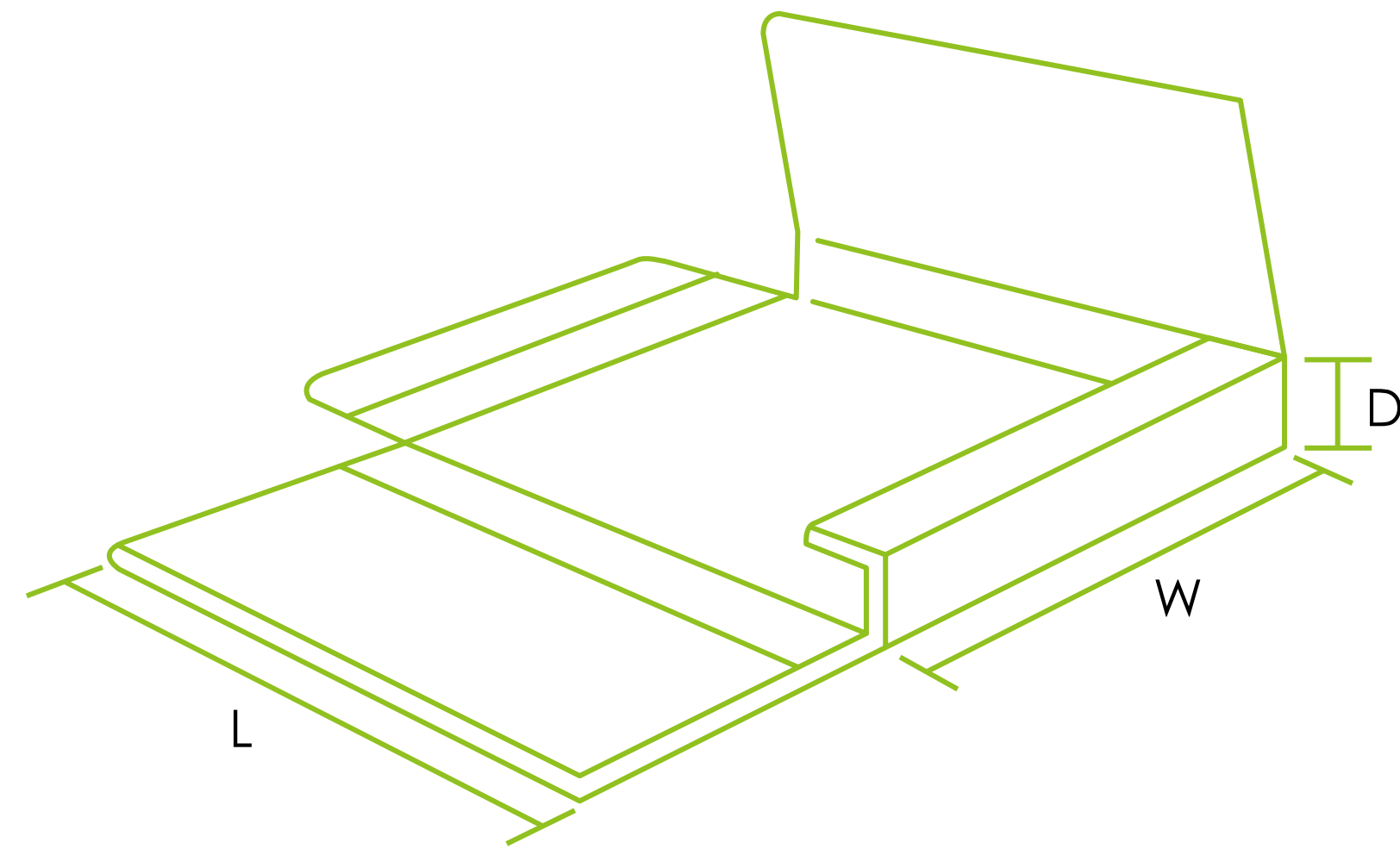


ONE FLAP PANEL BOX, LIP AND BASE  
ARE CONNECTED AS ONE UNIT.

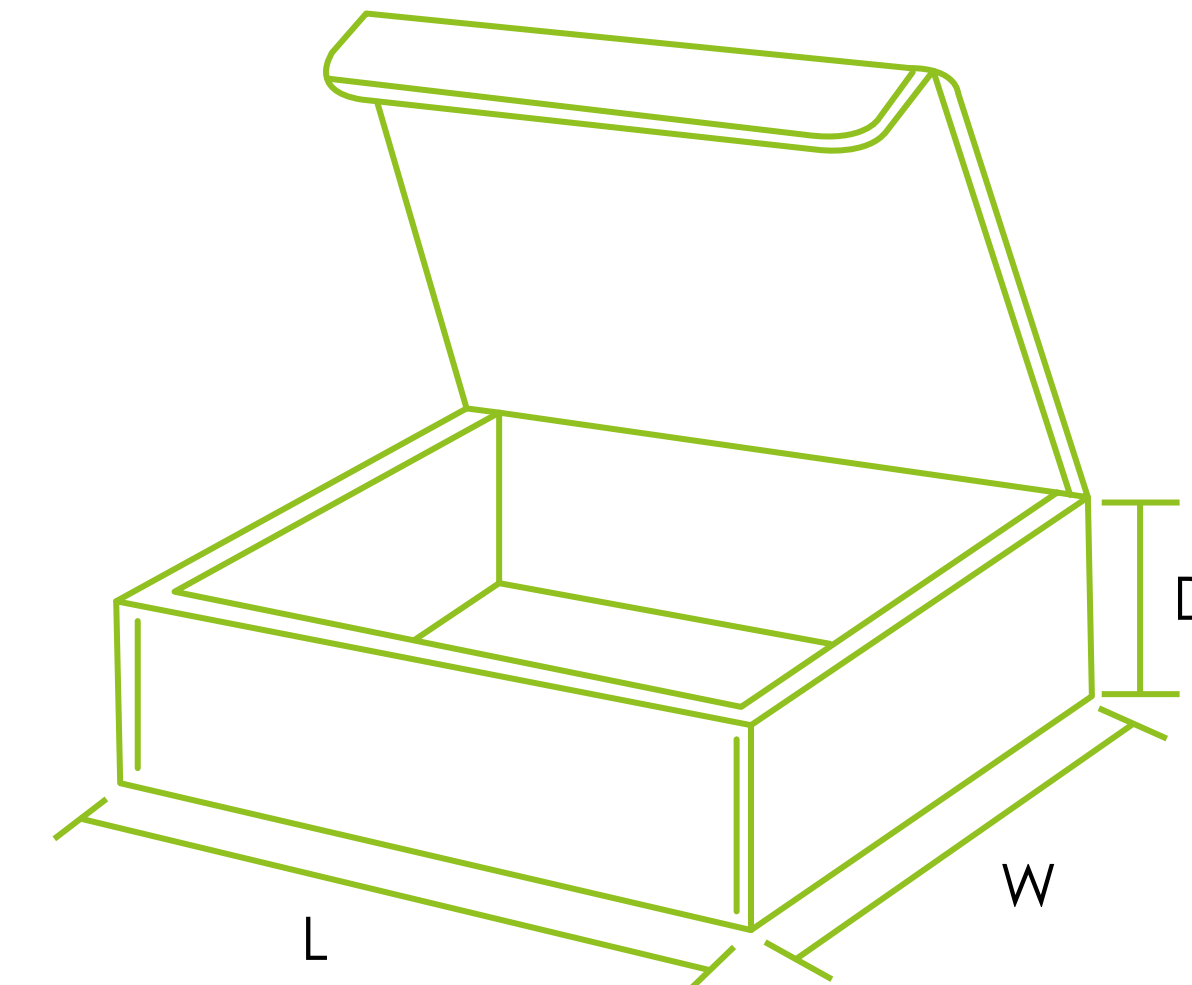
# ▲ CUSTOM CORRUGATED BOXES



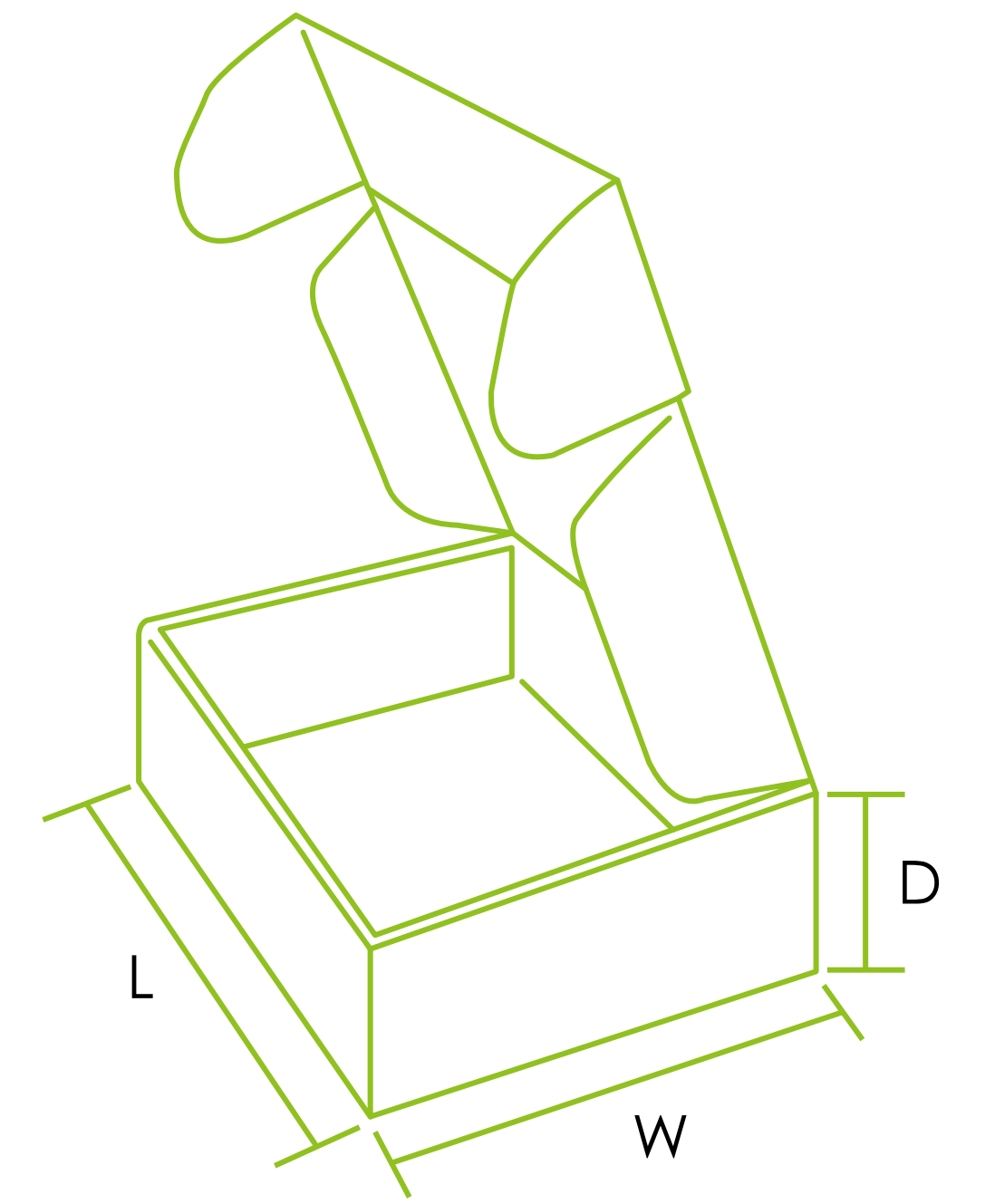
FIVE PANEL FOLDER



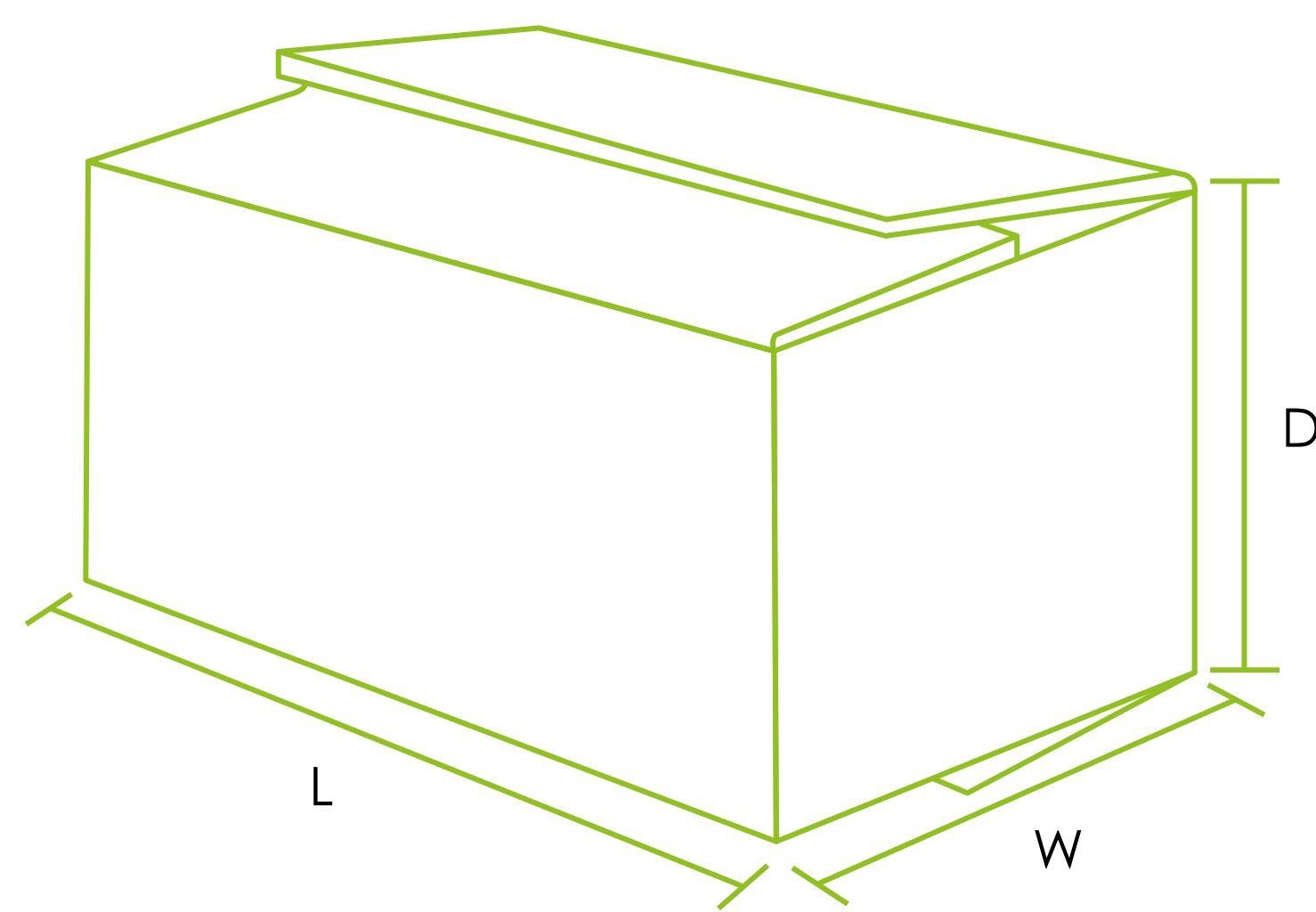
ONE PIECE FOLDER



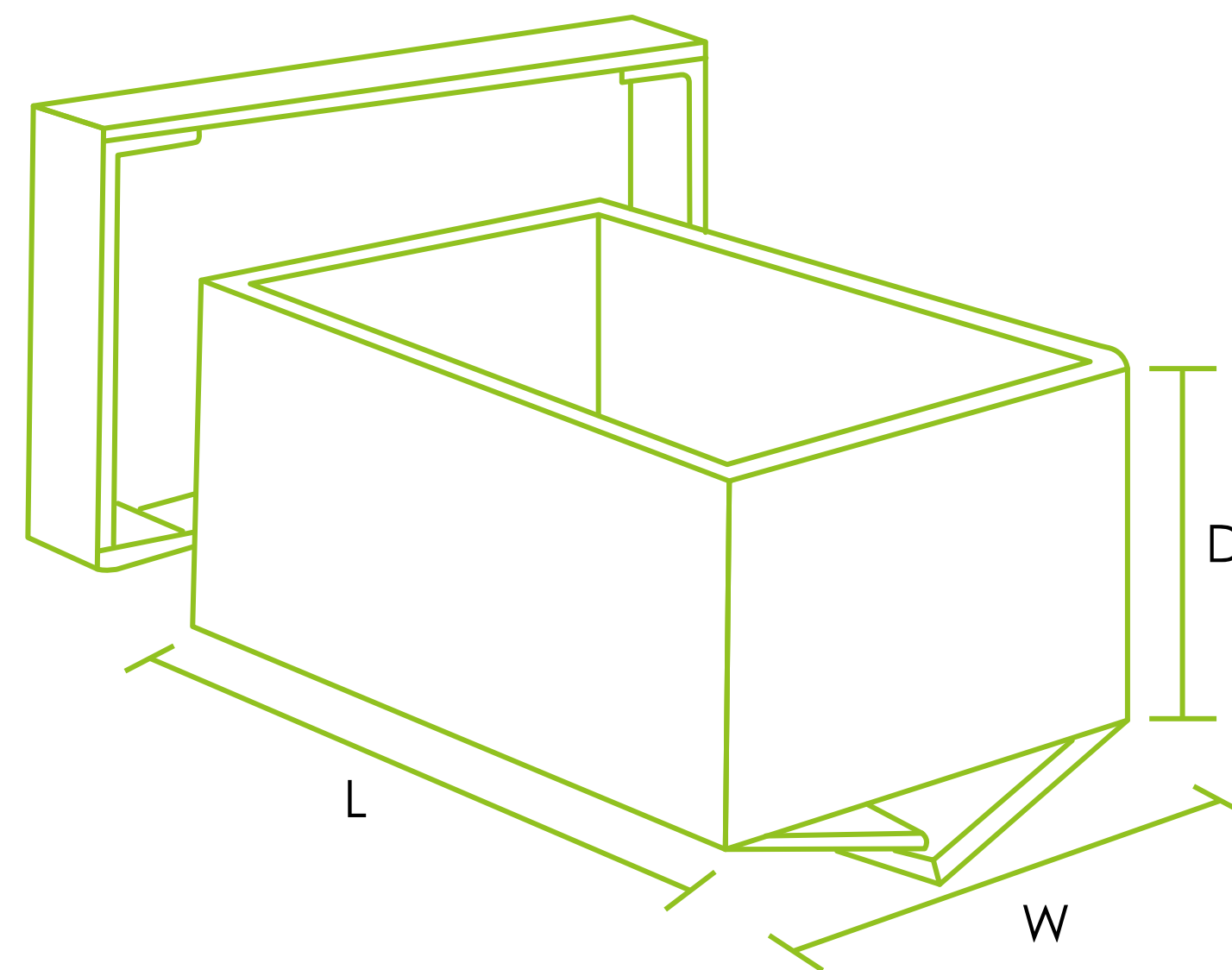
ROLLED END TUCK TOP  
(SPECIAL MAILER)



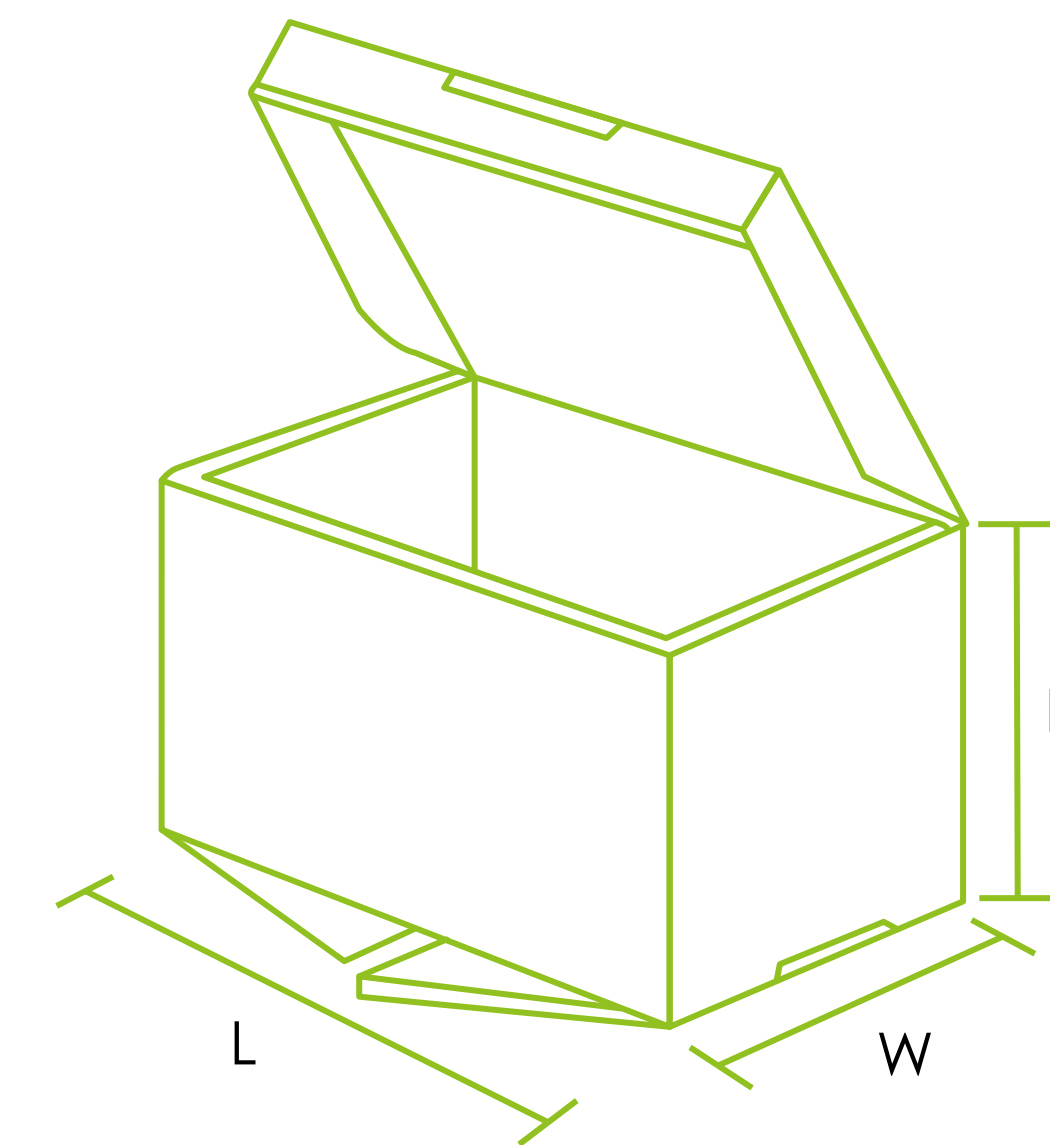
ROLL END TUCK TOP  
DUST FLAP CHERRY LOCK



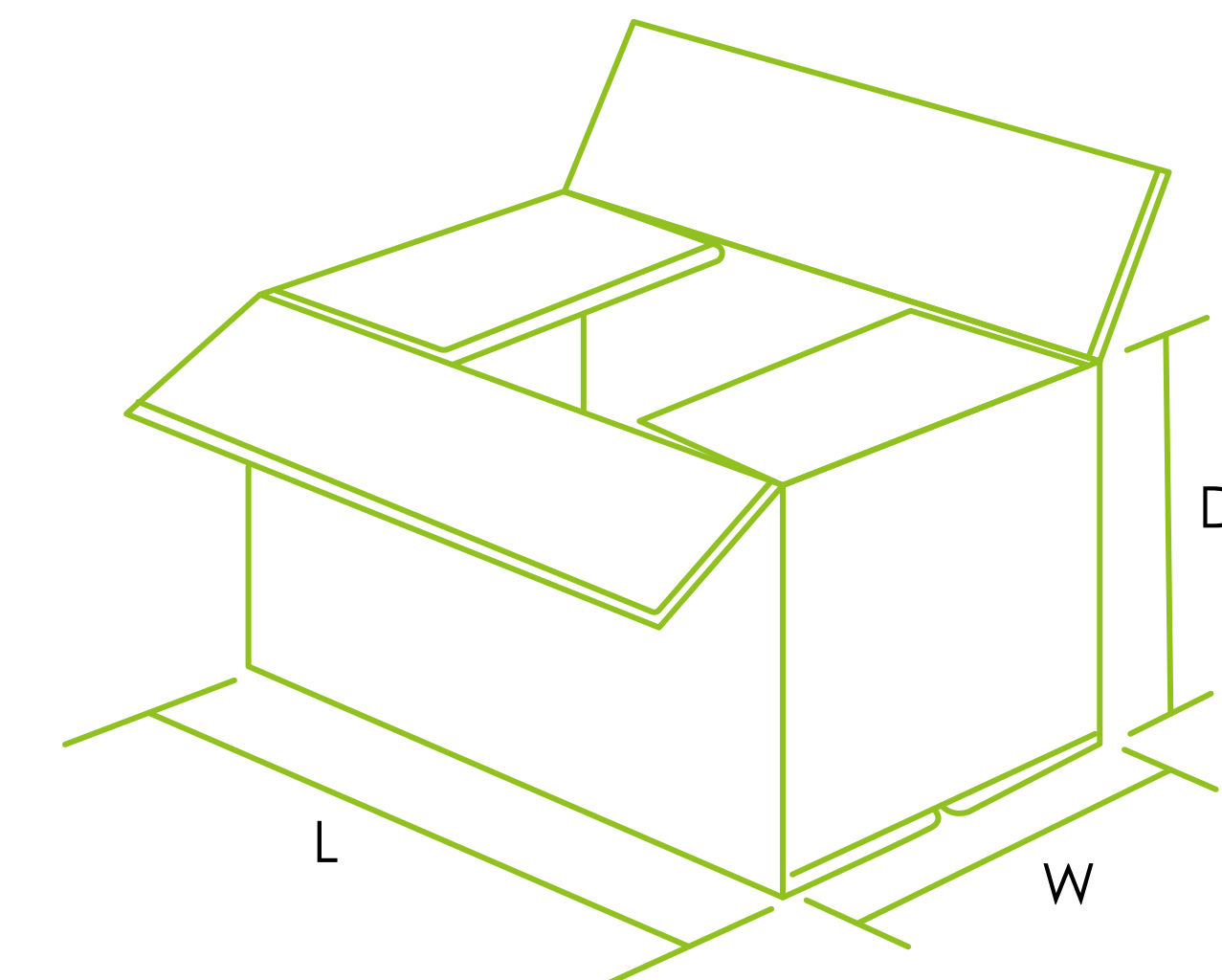
PARTIAL OVERLAP CONTAINER



HALF SLOTTED CARTON



SELF LOCKING  
RECORD FILL BOX



STANDARD SLOTTED CARTON

# FLUTE CORRUGATED OPTIONS

## 33±3 FLUTES/LIN. FT.

“A” Flute Characteristics: High top- to-bottom compression. Good stacking strength. Thickness gives great cushioning protection.



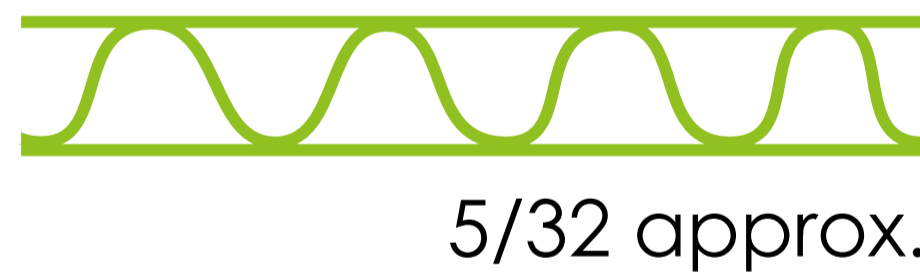
## 47±3 FLUTES/LIN. FT.

“B” Flute Characteristics: High resistance to crunching. Excellent printing surface, slots and scores easily. 2.5mm thick. Used for smaller cartons or mid-size displays.



## 39±3 & 90±3 FLUTES/LIN. FT.

“C” Flute Characteristics: Greater resistance to flat crush than “A”. Excellent printing surface with fewer high and low corrugations. 4 mm thick. Used for cartons or mid-size displays.



## E FLUTE

1.5 mm thick. Used for fitments, smaller boxes and displays.




## F FLUTE

.075 mm thick. Used for smaller boxes. Suits direct litho printing.



# FIGURING BOARD TYPE, TEST & LINER

DESCRIPTION	MAX WEIGHT OF BOX & CONTENTS	DIMENSIONS (L + W + D) TOTALING	BURSTING (MULLEN) TEST OF:	RULE 41 REQUIRES MINIMUM FACINGS OF:
DOUBLE FACE (SINGLE WALL) 	20 LBS.	40 IN.	125 LBS SQ/IN.	52 LBS (COMBINED WT.)
	40 LBS.	60 IN.	175 LBS SQ/IN.	75 LBS (COMBINED WT.)
	65 LBS.	75 IN.	200 LBS SQ/IN.	84 LBS (COMBINED WT.)
	90 LBS.	90 IN.	275 LBS SQ/IN.	138 LBS (COMBINED WT.)
	120 LBS.	100 IN.	350 LBS SQ/IN.	180 LBS (COMBINED WT.)

